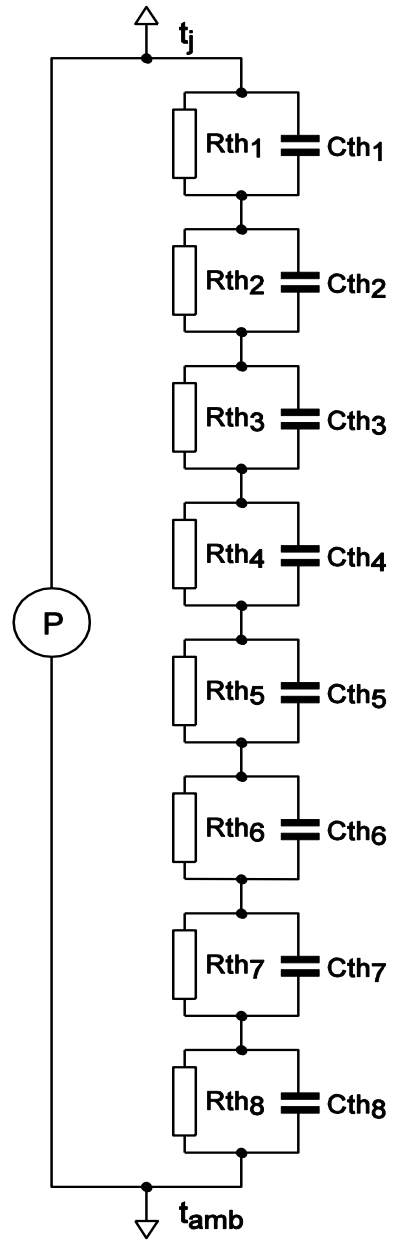


SPICE thermal model

BUK7K6R8-40E

Symbol	Parameter	Conditions	Min	Typ	Max	Unit
$R_{th(j-mb)}$	thermal resistance from junction to mounting base		-	-	2.36	K/W

C_{th1}	3.575E-05 F
C_{th2}	1.981E-04 F
C_{th3}	2.706E-04 F
C_{th4}	1.210E-03 F
C_{th5}	4.930E-03 F
C_{th6}	5.951E-03 F
C_{th7}	1.357E-01 F
C_{th8}	6.011E+01 F
R_{th1}	2.533E-03 Ω
R_{th2}	5.928E-03 Ω
R_{th3}	3.577E-02 Ω
R_{th4}	7.656E-02 Ω
R_{th5}	2.422E-01 Ω
R_{th6}	1.553E+00 Ω
R_{th7}	4.394E-01 Ω
R_{th8}	3.829E-03 Ω



Part: BUK7K6R8-40E
 Date: 20/3/2013
 R_{th} 2.36 K/W